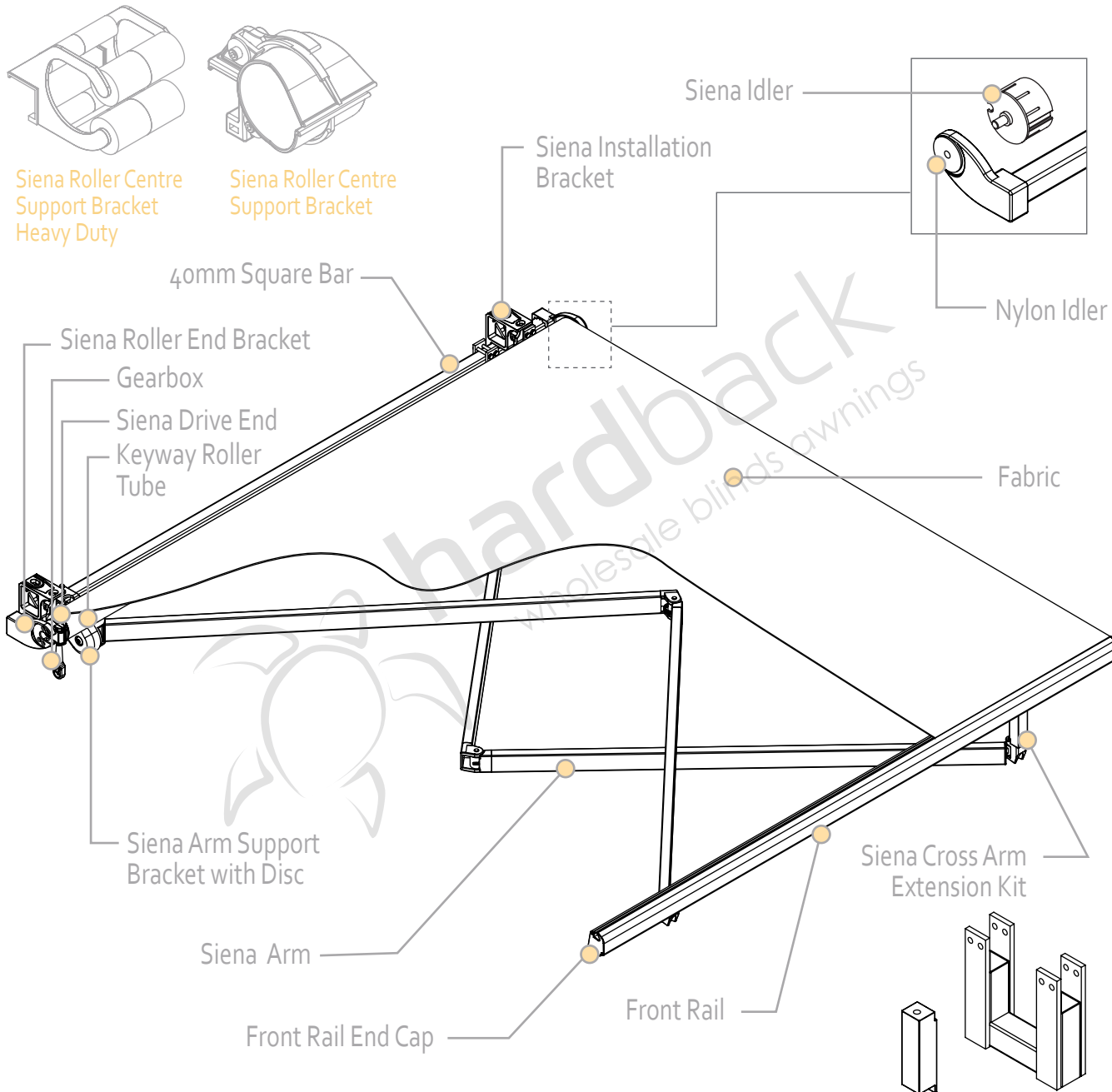


# Siena X-Over FAA Specifications

May 2022



## Technical Specifications

|                            |   |
|----------------------------|---|
| Operating Options          | Motorised or Crank  |
| Sizes (up to)              | 3.94m x 3.5m  |
| Application/Mounting       | Oversize- Suitable for narrow courtyard<br>Projection can exceed width        |
| Fitting Options            | Face, Fascia, Eave, Roof  |
| Frame Material             | Aluminium/Stainless Steel Hardware  |
| Frame Standard Colours     | Ivory, Onyx, Silver, White  |
| Optional Powder Coat       | Custom  |
| Keyway Roller Tube         | 78mm  |
| Standard Arm Pitch         | Set by Installer  |
| Pelmet Options             | Aluminium (Powder Coated to match)<br>or Colorbond                            |
| Pelmet Brackets            | Aluminium (no extra brackets required)<br>or Colorbond (Face/Fascia brackets) |
| Additional Bracket Options | Fascia Brackets: 10,22 or 30 degrees  |
| Fabric Options             | Acrylic   |
| Valance Option             | None, Straight or Scalloped   |

